

ECO NO. DATE 10/26/01

REVISION & DESCRIPTION ECO #455-154

LTR A

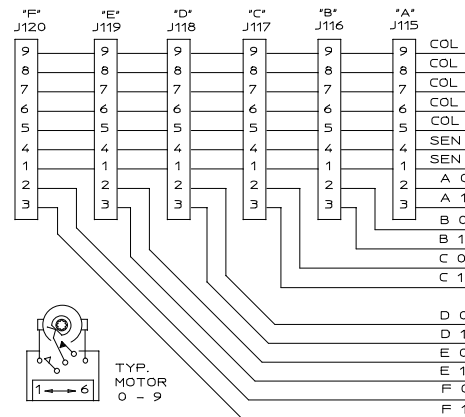
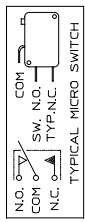
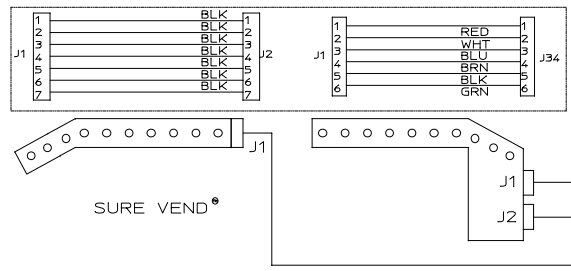
NATIONAL VENDORS ST. LOUIS, MO 63044-1200

WD455000 W.D.- FROZEN / REFRIGERATED 115V

CAD FILE: WD455000.M

CRANE

DRAW BY: APP. BY: D.N.



*NOTE: WIRE COLOR IS BLACK UNLESS LABELED

