

PART #  
WD461000

PART NAME  
WIRE DIAGRAM-CHILLER-120V

DRAWN BY  
DATE  
1/25/95

REVISION

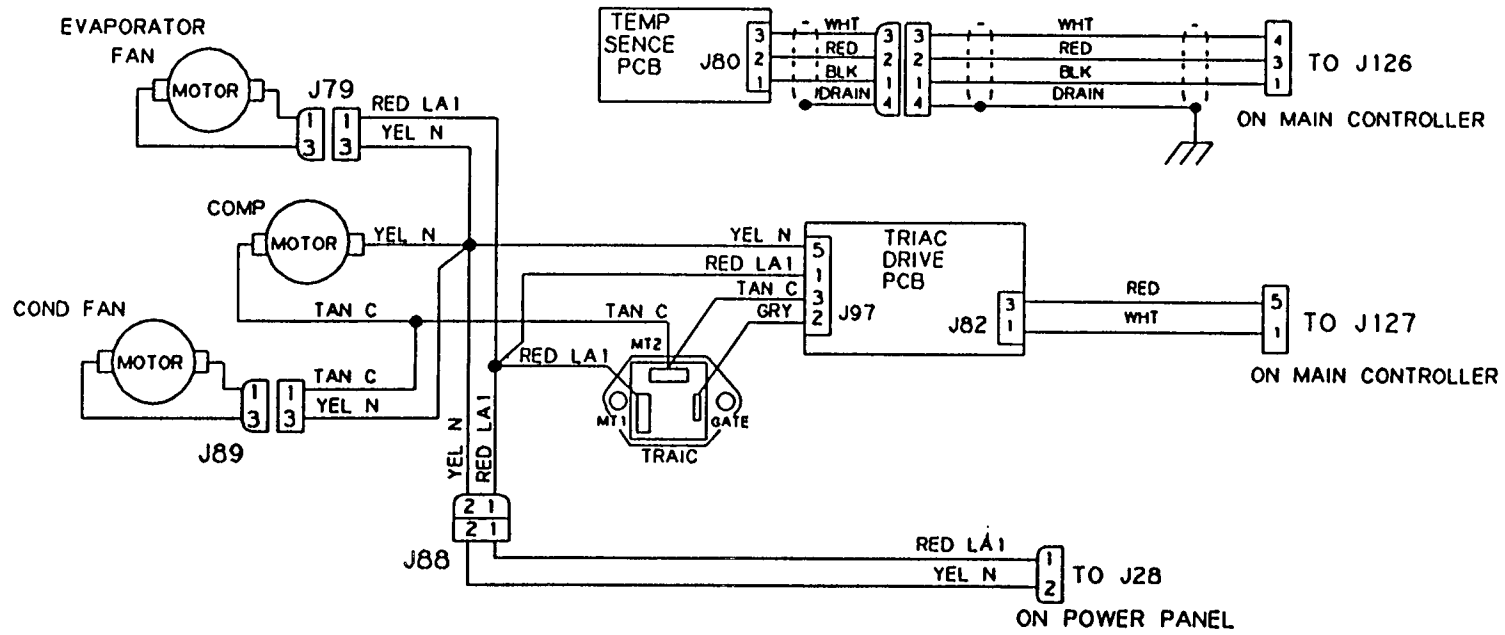
LTR	DESCRIPTION	ECO NO.	DATE	APPROVED BY

**CRANE NATIONAL VENDORS**<sup>®</sup>  
ST. LOUIS, MO 63044-1200

-CAD DRAWING DO NOT REVISE MANUALLY-  
FILE NAME: WD461000.DRW

APPROVED BY  
CHECKED BY

**ENGINEERING PRINT  
NOT RELEASED FOR  
PRODUCTION USE**



PART 1		PART NAME		DRAWN BY		DATE		REVISION	
WD461000		WIRE DIAGRAM-CHILLER-120V		1/25/95					
CRANE NATIONAL VENDORS		-CAD DRAWING DO NOT REVISE MANUALLY-		APPROVED BY		CHECKED BY		LTR	
ST. LOUIS, MO 63044-1200		FILE NAME: WD461000.DRW						DESCRIPTION	
								ECO NO.	
								DATE	
								APPROVED BY	

**ENGINEERING PRINT  
NOT RELEASED FOR  
PRODUCTION USE**

