

D

C

B

A

REVISION		DATE	DESCRIPTION	ECO NO.	DATE	APPROVED BY
LTR						

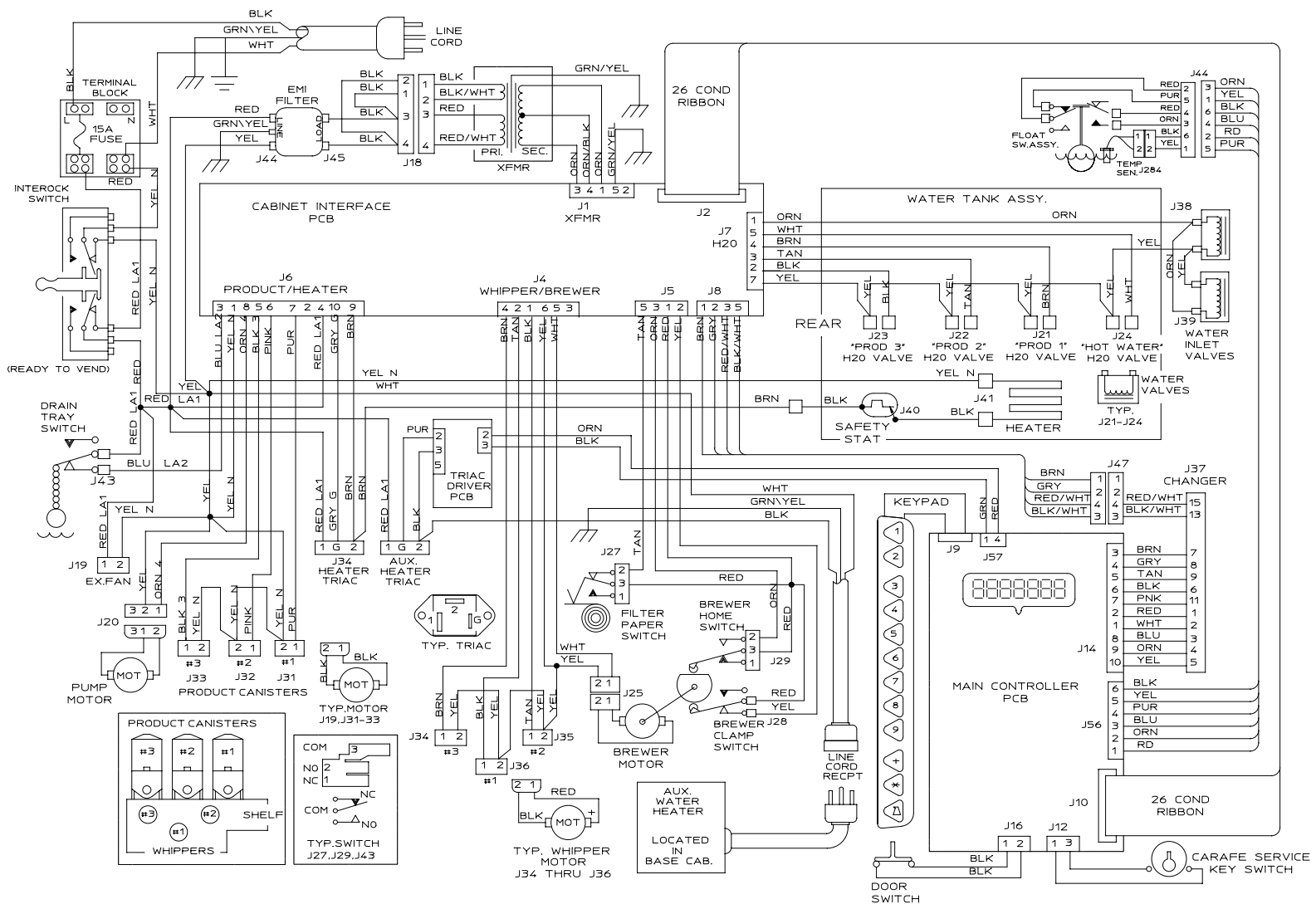
DATE		DRAWN BY	CHECKED BY	SCALE

PART NAME		FINISH
W.D.- CS7 W/ AUX. HEATER - 115V		

PART NO.	WD644000
MATERIAL	

UNLESS OTHERWISE SPECIFIED	
TOLERANCE	± .02
ANGLES	° EXCEPT
POROSITY	1/32"
CONCENTRICITY	Ø .002
-CAD DRAWING DO NOT REVISE MANUALLY-	

ST. LOUIS, MO 63044-1200	
FILE NAME: WD644000.M1	



D

C

B

A