

WD680000

W.D. - CAFE 3 & 4

CAD FILE: MD-OCS-21H

CRANE NATIONAL VENDORS' ST. LOUIS, MO 63044-1200

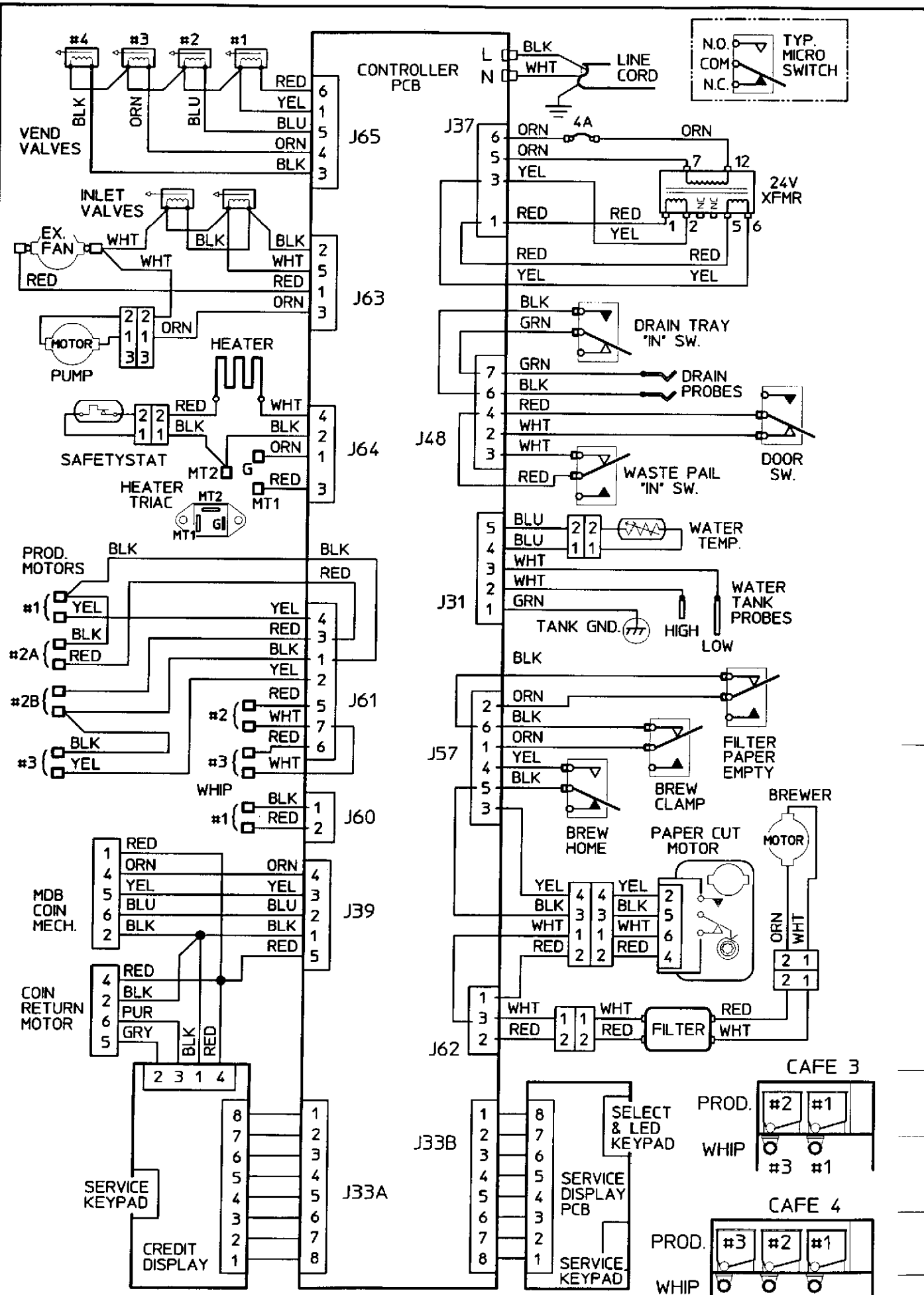
LTR A ECO# N-6577

REVISION & DESCRIPTION

ECO NO. 08-17-99

DATE 08-17-99

DRW BY: J.S. APP BY: 2



*NOTE: WIRE COLOR IS BLACK UNLESS NOTED