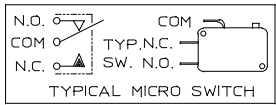


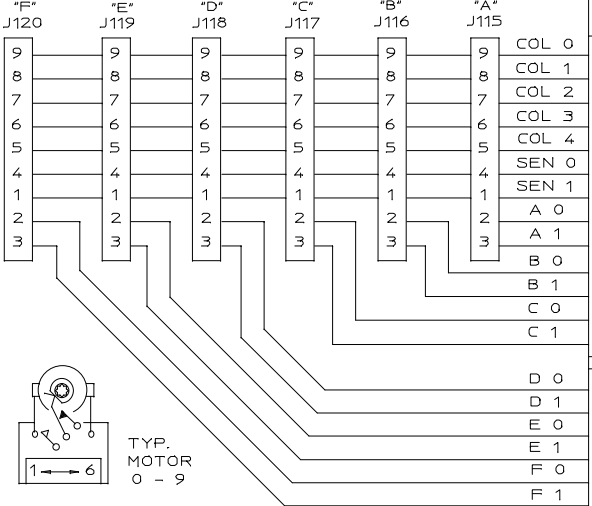
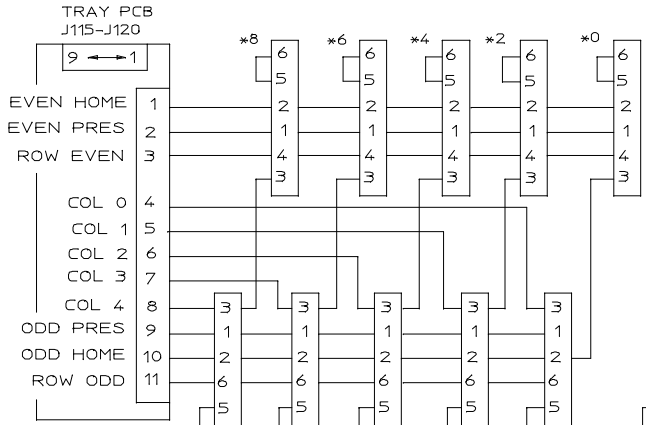
NATIONAL VENDORS\*  
 ST. LOUIS, MO 63044-1200  
 W.D. - OUTDOOR SNACK - 115V  
 W.D.21000

LTR A B  
 ECO - 115  
 PIN OUT CORRECTIONS & SW. VIEWS

REVISION & DESCRIPTION  
 DATE 11-03-99  
 J.S.  
 J.S.  
 DRAW BY: APP. BY:



TRAY HARNESS	
4	*0, *2, *4, & *6
5	*0, *2, *4, *6, & *8
8	*0 THRU *7
10	*0 THRU *9



\*NOTE: WIRE COLOR IS BLACK UNLESS LABELED

