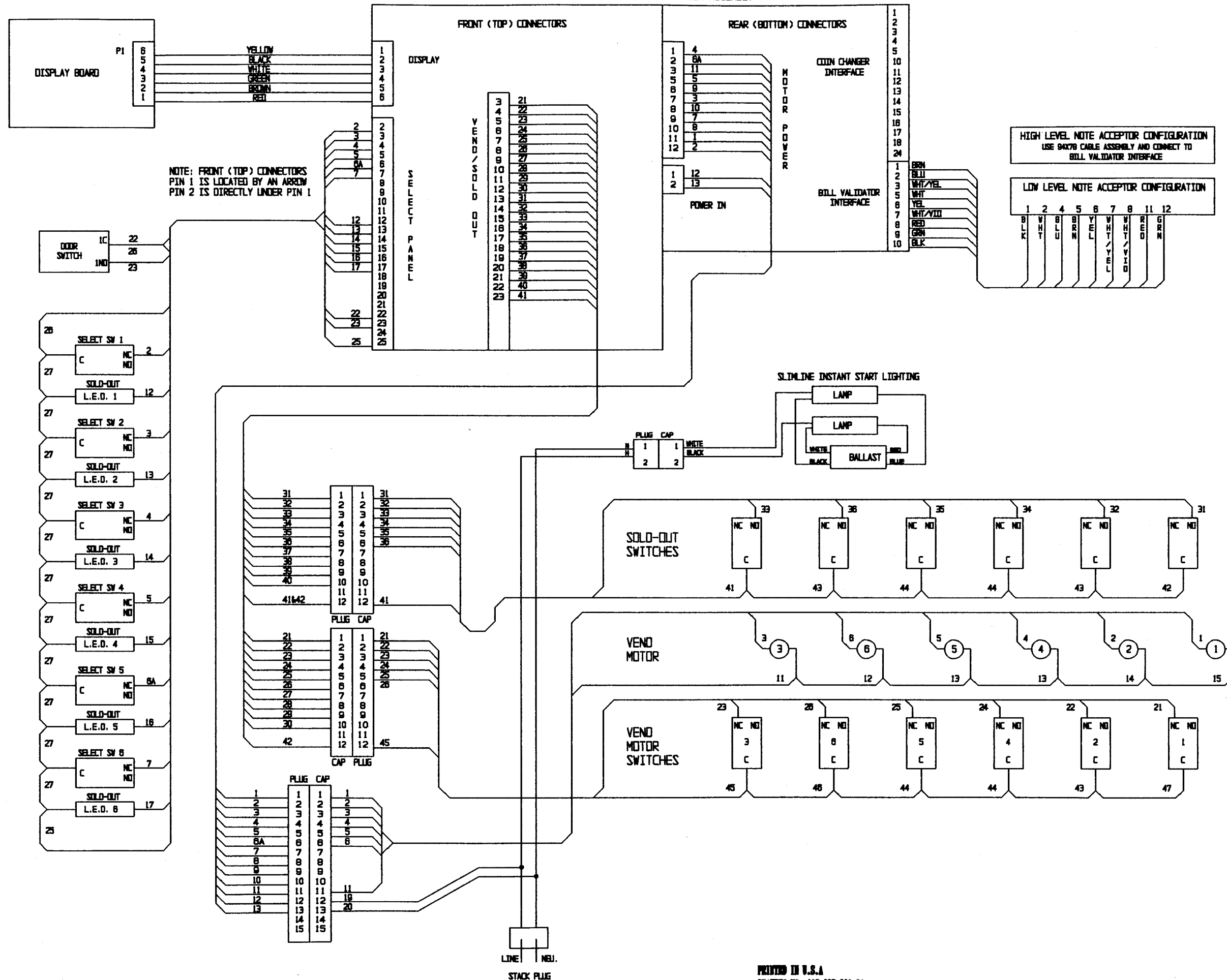


S11 VEND SMART CONTROL BOX ASSEMBLY



PATENT NOTICE
THIS DEVICE IS MANUFACTURED UNDER ONE OR MORE OF THE FOLLOWING U.S. PATENTS:

3,115,274	3,483,355	4,036,400
3,144,865	3,484,588	4,036,821
3,187,841	3,680,837	4,044,877
3,270,917	4,019,850	4,288,138
3,367,536	4,508,858	4,705,176
	3,702,184	4,284,000

HIGH LEVEL NOTE ACCEPTOR CONFIGURATION
USE 94X78 CABLE ASSEMBLY AND CONNECT TO BILL VALIDATOR INTERFACE

LOW LEVEL NOTE ACCEPTOR CONFIGURATION

1	2	4	5	6	7	8	11	12
BLK	WHT	BLU	BRN	YEL	WHT/YEL	WHT/VID	RED	GRN

NOTE: THE FOLLOWING ARE EXAMPLES OF WIRE LOCATIONS FROM THE WIRE INSURTION SIDE:

