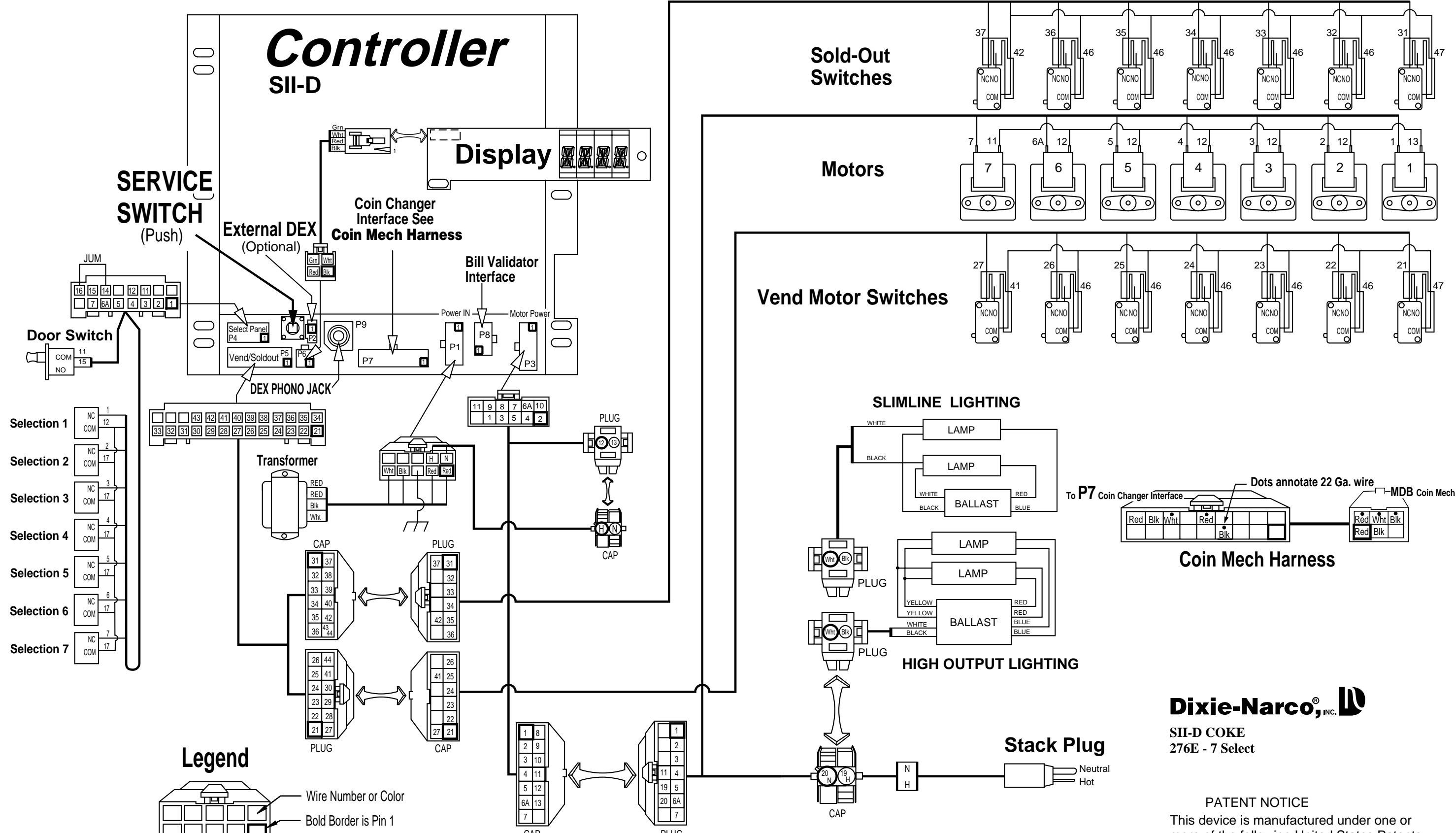


Controller SII-D



Sold-Out Switches

Motors

Vend Motor Switches

SLIMLINE LIGHTING

HIGH OUTPUT LIGHTING

Stack Plug

SERVICE SWITCH (Push)

External DEX (Optional)

Coin Changer Interface See Coin Mech Harness

Display

Bill Validator Interface

Door Switch

DEX PHONO JACK

Transformer

CAP

PLUG

PLUG

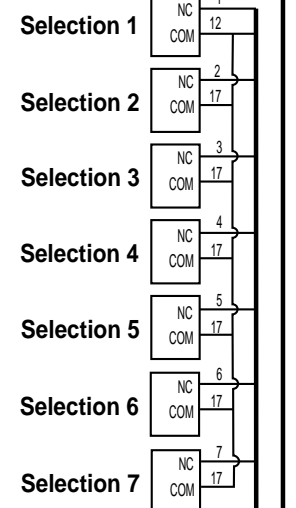
CAP

CAP

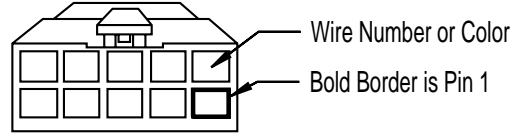
PLUG

CAP

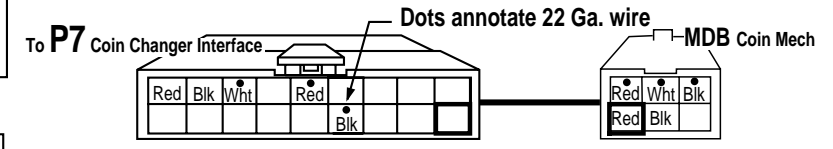
PLUG



Legend



All Connectors are WIRE SIDE VIEW



Coin Mech Harness

PRINTED IN U.S.A.
DRAWING NO. 803,848,710.11

Dixie-Narco, INC.

SII-D COKE
276E - 7 Select

PATENT NOTICE
This device is manufactured under one or more of the following United States Patents:
4,298,138 4,264,000
4,705,176 4,509,658