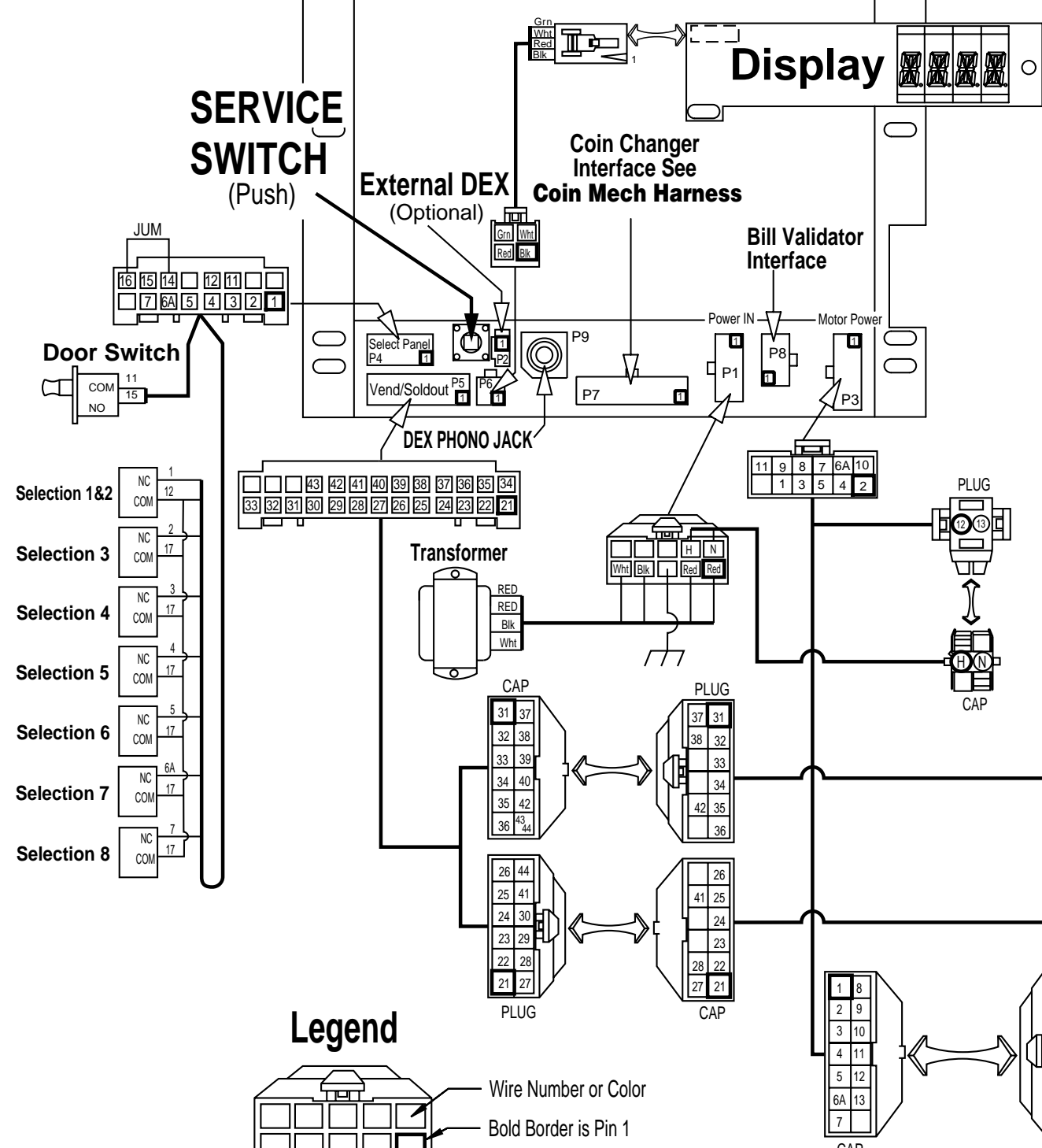
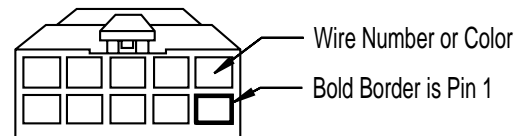


Controller SII-D

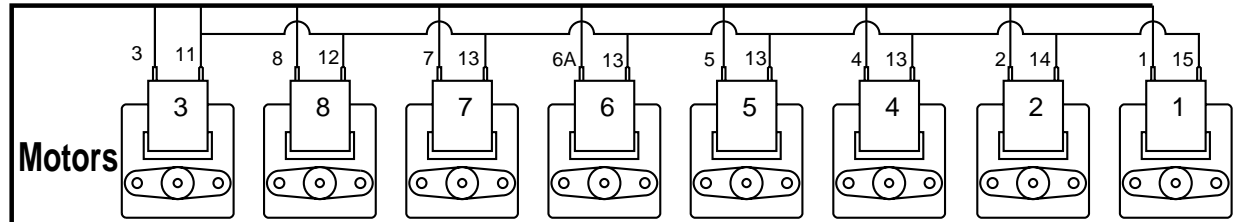


Legend

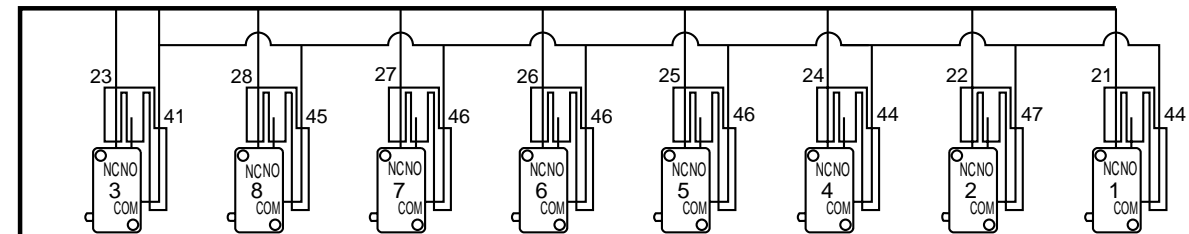


All Connectors are WIRE SIDE VIEW

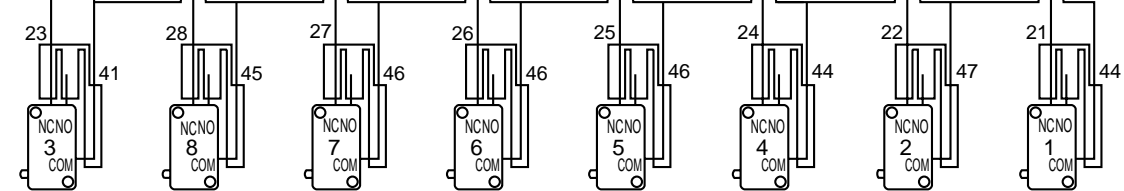
Sold-Out Switches



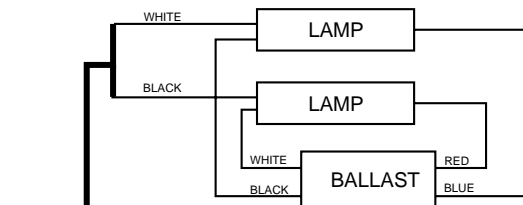
Motors



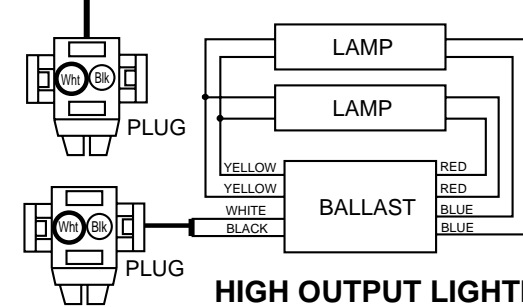
Vend Motor Switches



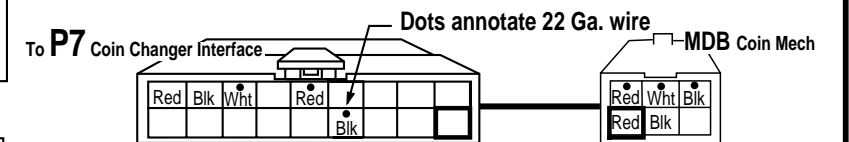
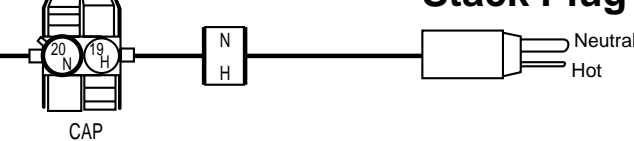
SLIMLINE LIGHTING



HIGH OUTPUT LIGHTING



Stack Plug



Coin Mech Harness

Dixie-Narco, INC.

SII-D VRV COKE
(7 Select) 501/600

PATENT NOTICE

This device is manufactured under one or more of the following United States Patents:
4,298,138 4,264,000
4,705,176 4,509,658

PRINTED IN U.S.A.
DRAWING NO. 803,842,210.41