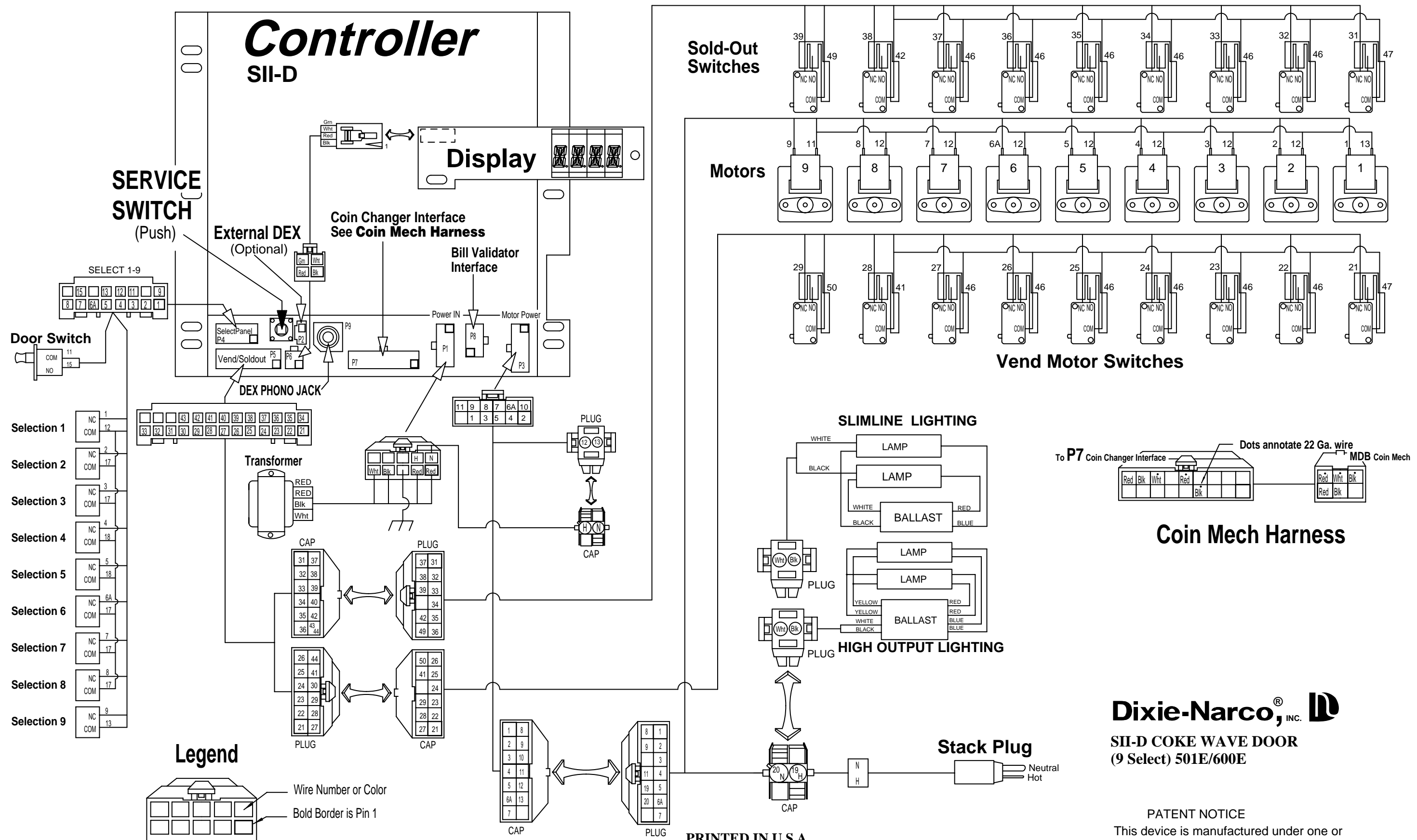


Controller SII-D



SERVICE SWITCH
(Push)

External DEX
(Optional)

Coin Changer Interface
See Coin Mech Harness

Display

Bill Validator Interface

Power IN

Motor Power

SelectPanel P4

Vend/Soldout P5

DEX PHONO JACK

Transformer

CAP

PLUG

PLUG

PLUG

CAP

CAP

PLUG

CAP

PLUG

Sold-Out Switches

Motors

Vend Motor Switches

SLIMLINE LIGHTING

HIGH OUTPUT LIGHTING

Stack Plug

Coin Mech Harness

Dixie-Narco, INC.

**SII-D COKE WAVE DOOR
(9 Select) 501E/600E**

PATENT NOTICE

This device is manufactured under one or more of the following United States Patents:
4,298,138 4,264,000
4,705,176 4,509,658

Door Switch

Selection 1

Selection 2

Selection 3

Selection 4

Selection 5

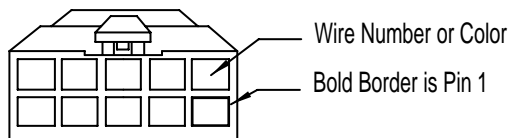
Selection 6

Selection 7

Selection 8

Selection 9

Legend



All Connectors are WIRE SIDE VIEW

PRINTED IN U.S.A.
DRAWING NO. 803,855,730.01