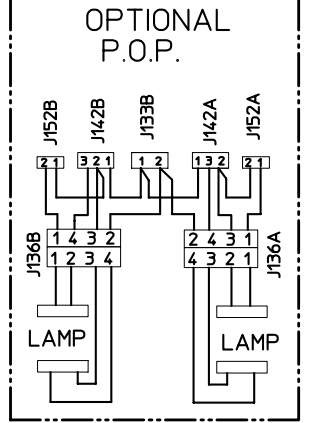
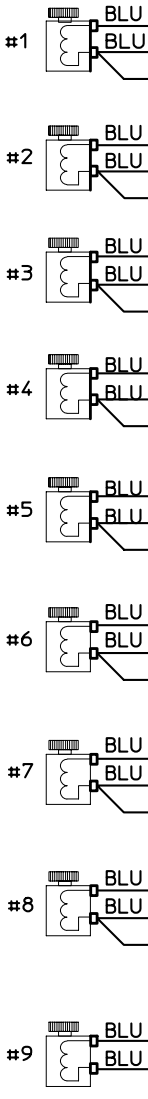


PART NO. WD432004	PART NAME W.D.SHOPPER - 115V	DATE 05/13/04	REVISION
		DESCRIPTION	DATE
MATERIAL	FINISH	DRAWN BY A	APPROVED BY
		D.N.	ECO NO.
CRANE MERCHANDISING SYSTEMS™ A CRANE CO. COMPANY ST. LOUIS, MO 63044-1200 FILE NAME: WD432004.MI		SCALE NONE	APPROVED BY
TOLERANCES 2 PLACE DECIMAL + 02 3 PLACE DECIMAL + 005 UNLESS SPECIFIED OTHERWISE DIMENSIONS ARE IN INCHES -CAD DRAWING DO NOT REVISE MANUALLY-		DATE	APPROVED BY

OPTIONAL
DOOR
SOLENOID
SWITCHES



OPTIONAL
P.O.P.

