

4 3 2 1

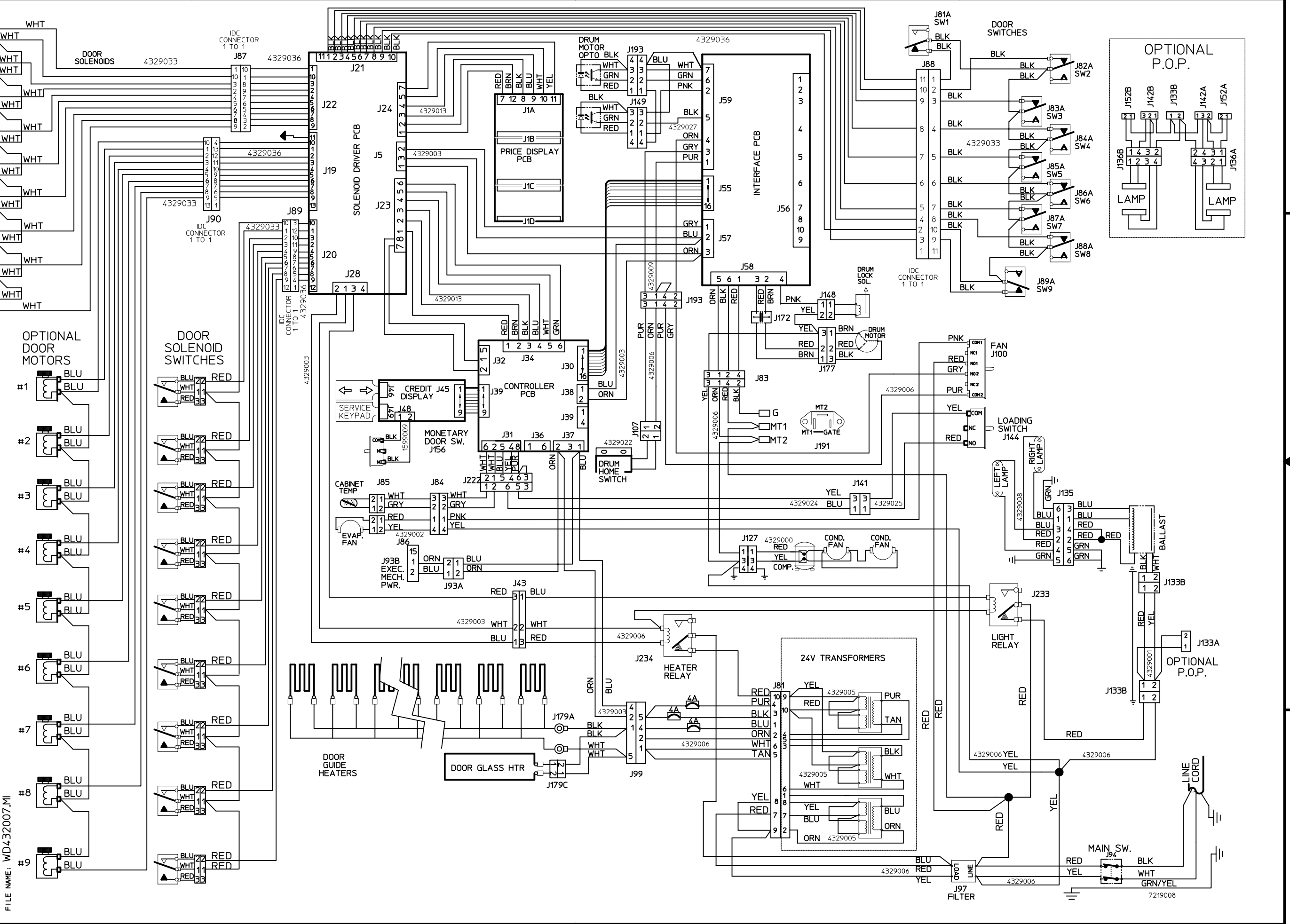
D

C

B

A

PART NO. WD432007	PART NAME W.D.SHOPPER - 115V	DATE 11/12/04	REVISION	APPROVED BY
		DRAWN BY D.N.	DESCRIPTION	DATE
MATERIAL	FINISH	SCALE NONE	LTR A	ECO NO.
		TOLERANCES UNLESS OTHERWISE SPECIFIED ARE IN INCHES 2 PLACE DECIMAL * .02 3 PLACE DECIMAL * .005 ANGLES 1/2° EXCEPT OTHERWISE FORMED ANGLES SPECIFIED OR CONCENTRICITY TIR .010 -CAD DRAWING DO NOT REVISE MANUALLY-	CHECKED BY	DATE
CRANE MERCHANDISING SYSTEMS™ A CRANE CO. COMPANY ST. LOUIS, MO 63044-1200 FILE NAME: WD432007.M		APPROVED BY		



4 3 2 1

D

C

B

A