

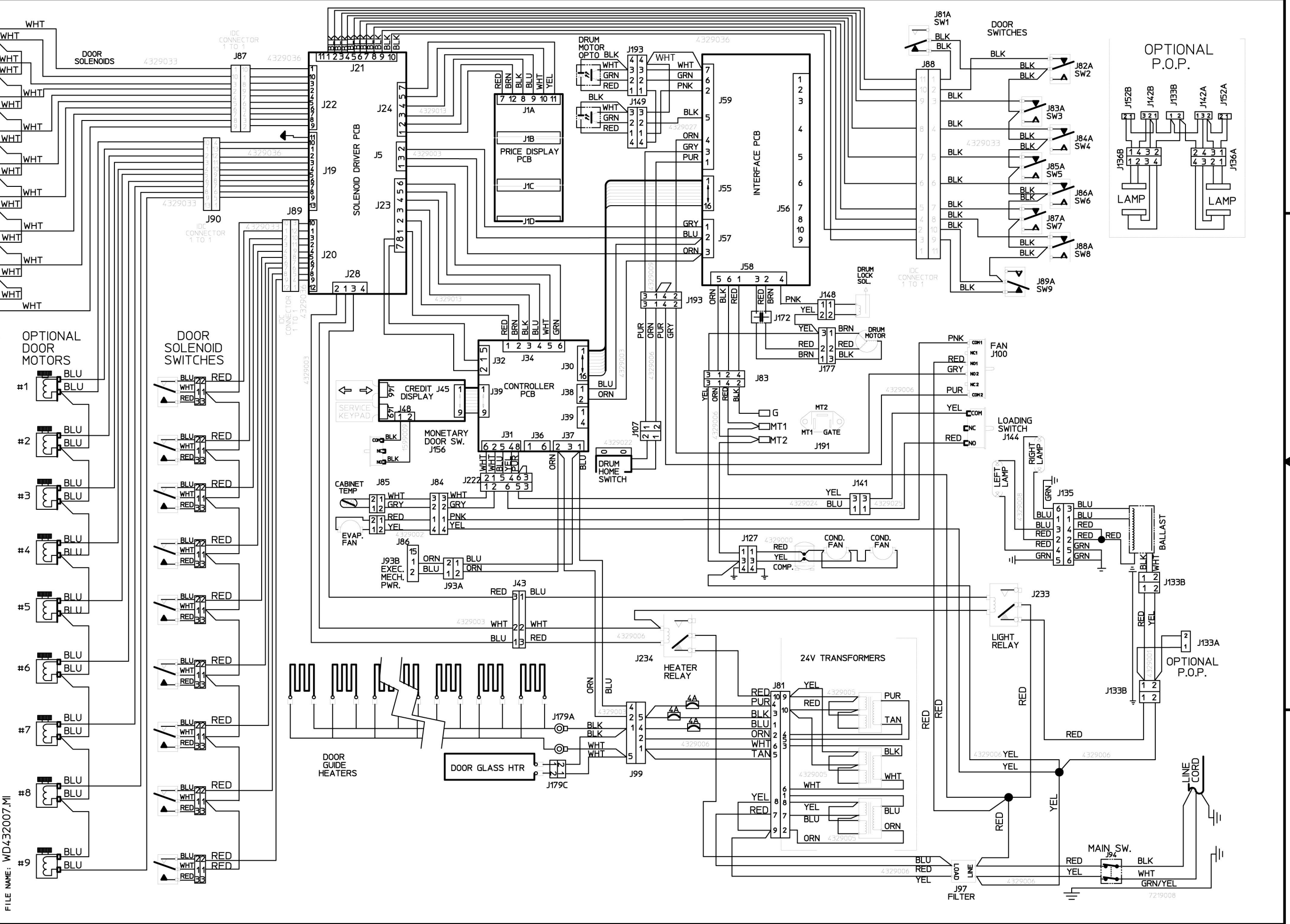
D

C

B

A

PART NO. WD432007	PART NAME W.D.SHOPPER - 115V	REVISION		DATE	APPROVED BY
		ECO NO.	DESCRIPTION		
MATERIAL	FINISH	DATE	DRAWN BY	D.N.	CHECKED BY
		11/12/04			
<p>UNLESS OTHERWISE SPECIFIED DIMENSIONS ARE IN INCHES</p> <p>2 PLACE DECIMAL * .02</p> <p>3 PLACE DECIMAL * .005</p> <p>UNLESS OTHERWISE SPECIFIED DIMENSIONS ARE IN INCHES</p> <p>OTHERWISE FORMED ANGLES * 1°</p> <p>SPECIFIED OR CONCENTRICITY TIR * .010</p> <p>-CAD DRAWING DO NOT REVISE MANUALLY-</p>		SCALE	NONE		
<p>CRANE MERCHANDISING SYSTEMS™ A CRANE CO. COMPANY ST. LOUIS, MO 63044-1200</p>		FILE NAME:	WD432007.M		



D

C

B

A

4

3

2

1

D

C

B

A

4

3

2

1